

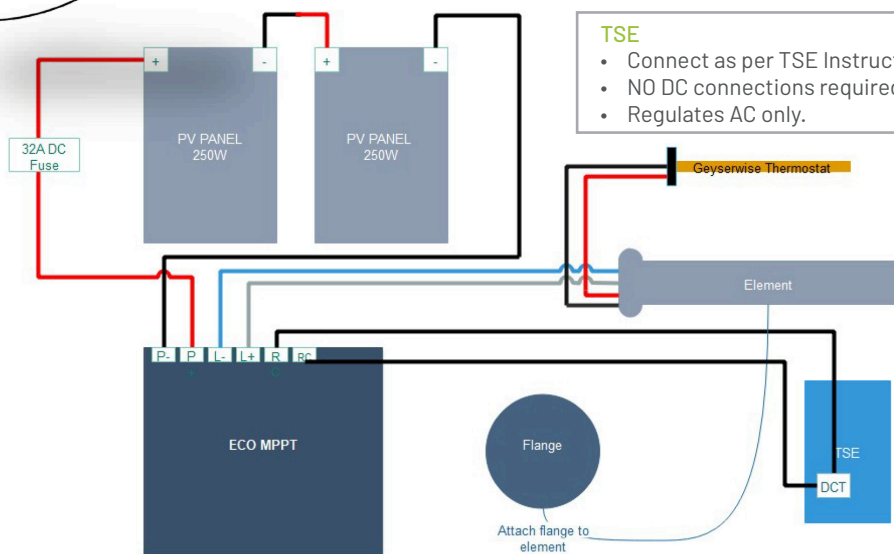
# GeyserWise Solar Eco MPPT



### LED LIGHTS

- PV Tracking on
- PV Tracking idle

- The MPPT must be mounted in a vertical position against a solid surface.
- Do not install the MPPT near water and damp areas.
- Do not install in direct sunlight.
- Ensure the cables are PV solar flex cable of adequate thickness.



### TSE

- Connect as per TSE Instruction Manual.
- NO DC connections required.
- Regulates AC only.

### KEY

P- = PV Panel -  
P+ = PV Panel +  
L- = Load -  
L+ = Load +  
RC = Remote Control  
RC = Remote Control  
DCT = DC Control on TSE

### PV PANEL CONFIGURATION

- 2 x 250W panels in series
- 2 x 300W panels in series
- 3 x 250W panels in series
- 3 x 300W panels in series
- 4 x 250W panels – 2 series, 2 series then parallel
- 4 x 300W panels – 2 series, 2 series then parallel

### TECHNICAL SPECIFICATIONS

- Maximum input voltage 46-138VOC, 36-108VMP
- Peak efficiency 98%
- Maximum output amps 25Amps
- Ambient temperature up to 70°C but de-rated at 1Amp per degree at temperatures above 50°C (do not expose to direct sunlight)
- Environmental IP43
- Indications 2 LEDs
- Heating (input command from thermostat)
- Tracking (PV active)
- Power (device turned on)
- Inputs/Outputs – potential free